

General Description

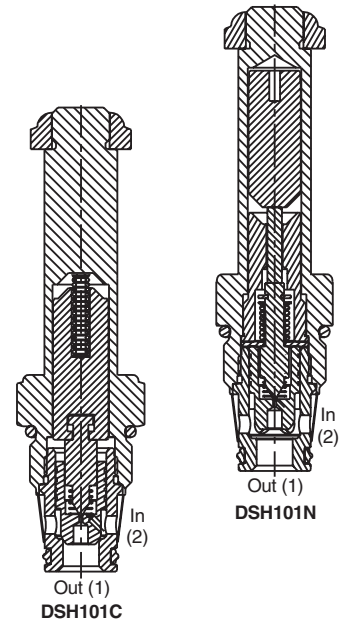
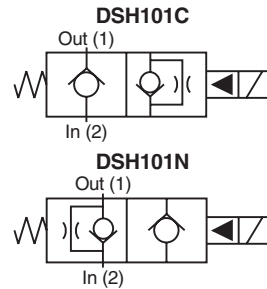
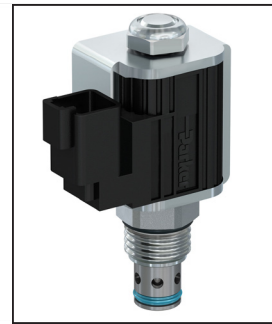
2-Way Poppet Valves.
 For additional information see Technical Tips on pages SV2-SV6.

Features

- Low hysteresis
- Replaceable, one piece encapsulated coils with minimal amperage draw
- Various coil terminations and voltages
- Various manual override options
- Polyurethane “D”-Ring eliminates need for backup rings
- Nylon inserted jam-nut provides secure holding in high vibration applications
- All external parts zinc plated

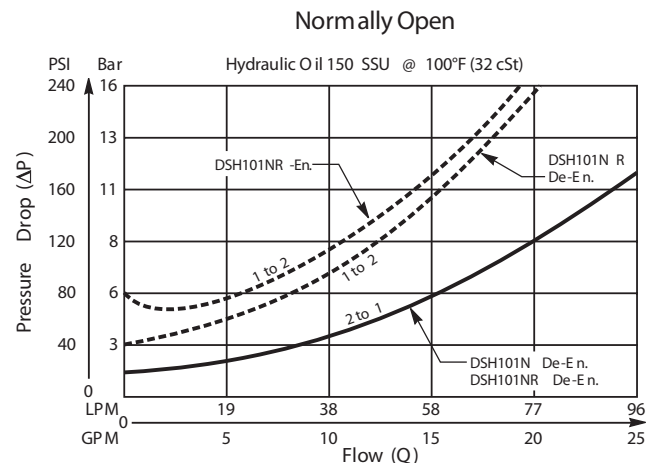
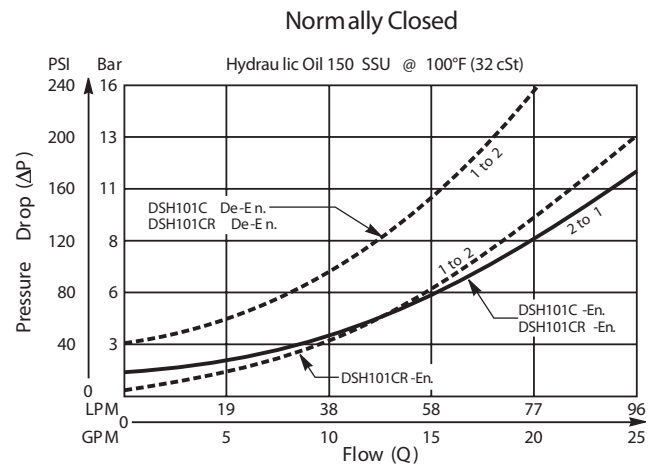
Specifications

Rated Flow	60 LPM (15 GPM)									
Maximum Inlet Pressure	350 Bar (5000 PSI)									
Leakage at 150 SSU (32 cSt)	5 drops/min. (.33 cc/min.)									
Minimum Operating Voltage	85% of rated voltage at 20°C (72°F).									
Response Time	<table border="1"> <thead> <tr> <th></th> <th>Energized</th> <th>De-Energized</th> </tr> </thead> <tbody> <tr> <td>C, CR</td> <td>80 ms</td> <td>150 ms</td> </tr> <tr> <td>N, NR</td> <td>70 ms</td> <td>35 ms</td> </tr> </tbody> </table>		Energized	De-Energized	C, CR	80 ms	150 ms	N, NR	70 ms	35 ms
	Energized	De-Energized								
C, CR	80 ms	150 ms								
N, NR	70 ms	35 ms								
Cartridge Material	All parts steel. All operating parts hardened steel.									
Operating Temp. Range/Seals	-37°C to +93°C (“D”-Ring) (-35°F to +200°F) -34°C to +121°C (Nitrile) (-30°F to +250°F) -26°C to +204°C (Fluorocarbon) (-15°F to +400°F)									
Fluid Compatibility/Viscosity	Mineral-based or synthetic with lubricating properties at viscosities of 45 to 2000 SSU (6 to 420 cSt)									
Filtration	ISO 4406 18/16/13, SAE Class 4									
Approx. Weight	.20 kg (0.41 lbs.)									
Cavity	C10-2 (See BC Section for more details)									



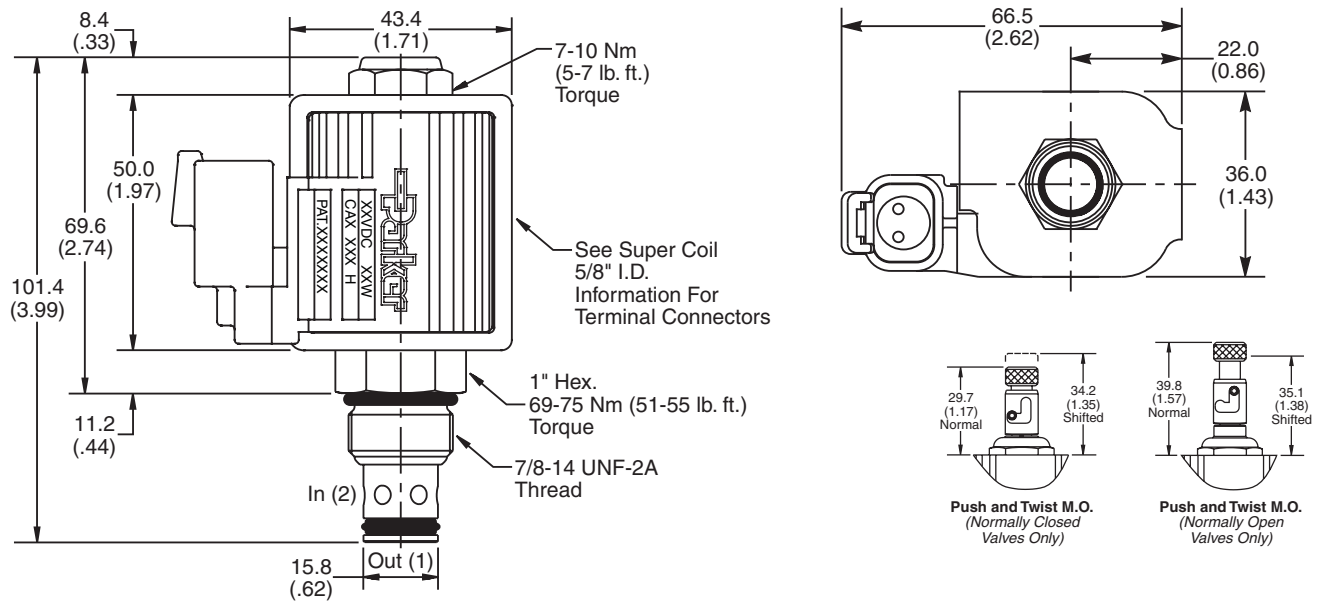
Performance Curves

Pressure Drop vs. Flow (Through cartridge only)

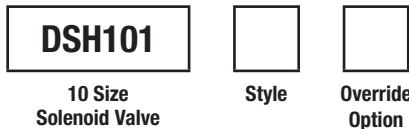


CV
Check Valves
SH
Shuttle Valves
LM
Load/Motor Controls
FC
Flow Controls
PC
Pressure Controls
LE
Logic Elements
DC
Directional Controls
SV
Solenoid Valves
PV
Proportional Valves
CE
Coils & Electronics
BC
Bodies & Cavities
TD
Technical Data

Dimensions Millimeters (Inches)



Ordering Information



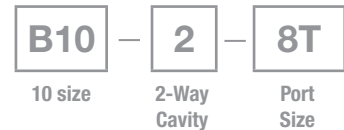
Highlighted represents preferred options that offer the shortest lead times. Other options may be available, but at extended lead times.

Coil(s) sold separately. Please see section CE of this catalog, 5/8" Super-Coil (CA series), for ordering information.

Order Bodies Separately See section BC

Code / Style	
C Normally Closed Metered reverse flow	
CR Normally Closed Free reverse flow	
N Normally Open Metered reverse flow	
NR Normally Open Free reverse flow	

Code	Override Options
Omit	None
T	Push & Twist (N.C. & N.O.)



Code	Seals
Omit	"D"-Ring

Code	Port Size / Body Material
8T	SAE-8 / Steel (5000 PSI)

Kit	Part Number
D-Ring Seal	SK10-2
Nitrile Seal	SK10-2
Fluorocarbon Seal	SK10-2V

CV Check Valves

SH Shuttle Valves

LM Load/Motor Controls

FC Flow Controls

PC Pressure Controls

LE Logic Elements

DC Directional Controls

SV Solenoid Valves

PV Proportional Valves

CE Coils & Electronics

BC Bodies & Cavities

TD Technical Data